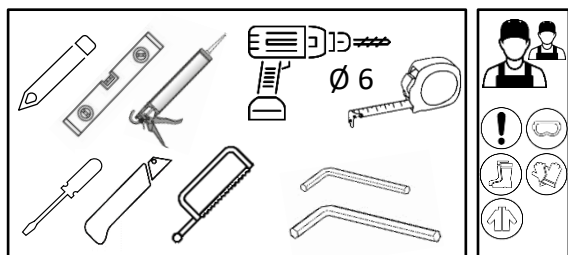


EVA

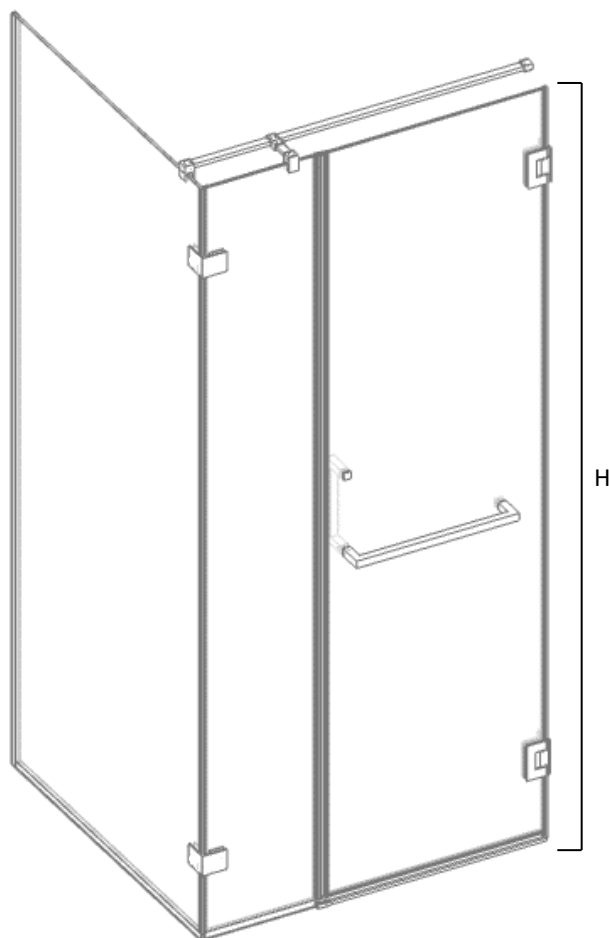
Duša kabīnes montāžas instrukcija

Инструкция по монтажу душевой кабины

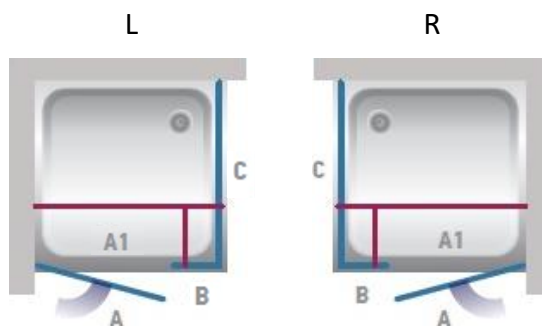
Shower enclosure installation assembly

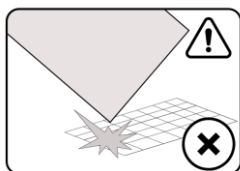
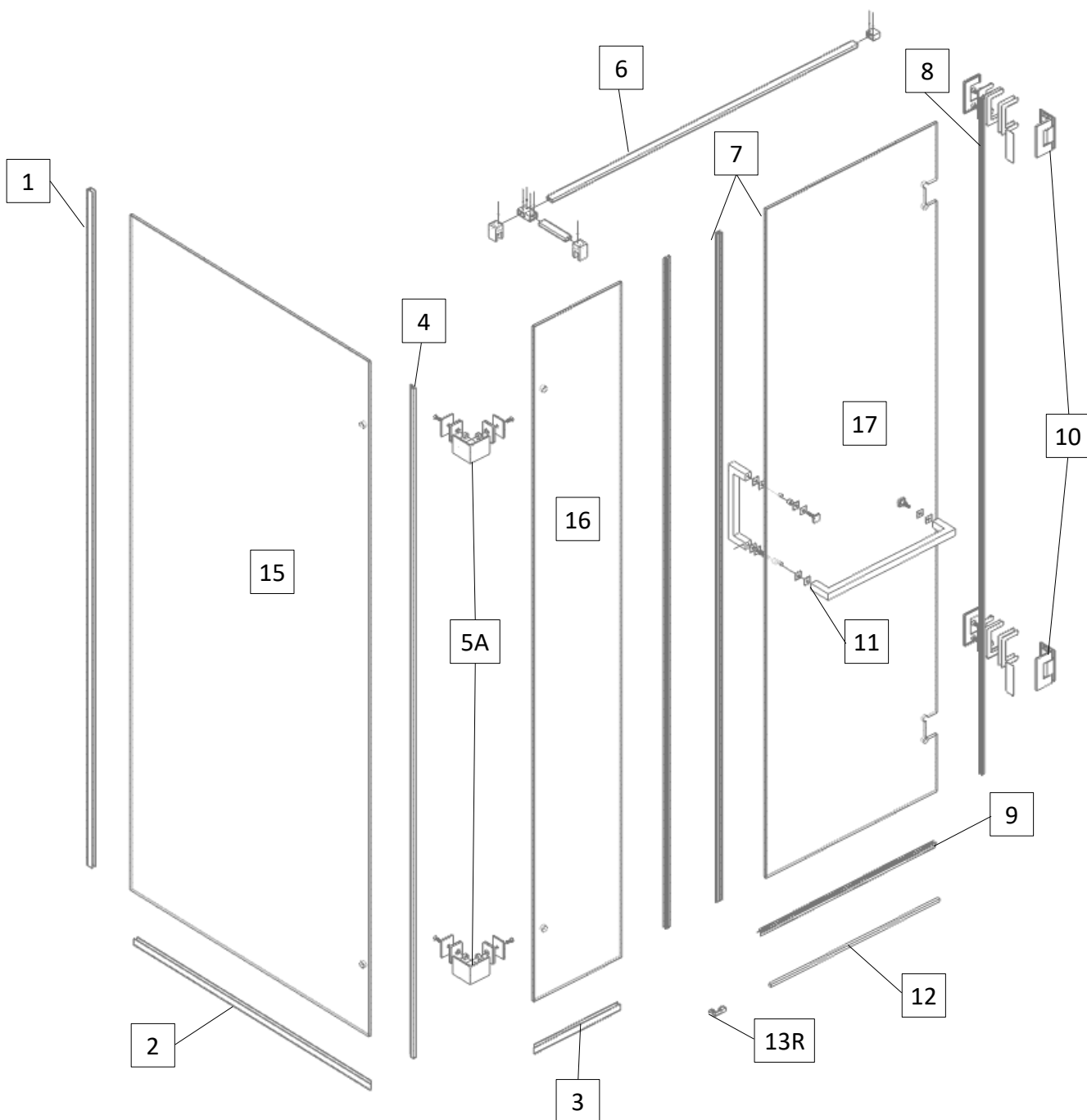


1.		PAL-01	1
2.		PAL-01B	1
3.		PAL-01B-2	1
4.		BB 52 135 19	1
5A		PGB-902	2
5B		5213150	2
6.		DZT1000CHR + SK2SET2	1
7.		MF-42/8-ER	1
8.		40021PS - 009	1
9.		400211PS-013	1
10.		WGLA6801CP+SK3SET1	2
11.		ZD-2850	1
12.		SC-ALU8X9NEW	1
13R		SC-SL-UZL180L	1
13L		SC-SL-UZL180R	1
14.		3,5x35 SK1SET; Ø 6	2
15.		8 mm Safety Glass	1
16.		8 mm Safety Glass	1
17.		8 mm Safety Glass	1



EVA	A+B (mm)	C (mm)	H (mm)
80x80EVA	797-802	782-785	1988
90x90EVA	897-902	882-885	1988
100x100EVA	997-1002	982-985	1988
110x110EVA	1097-1102	1082-1085	1988
120x120EVA	1197-1202	1182-1185	1988
120x80EVA	1197-1202	782-785	1988
120x90EVA	1197-1202	882-885	1988





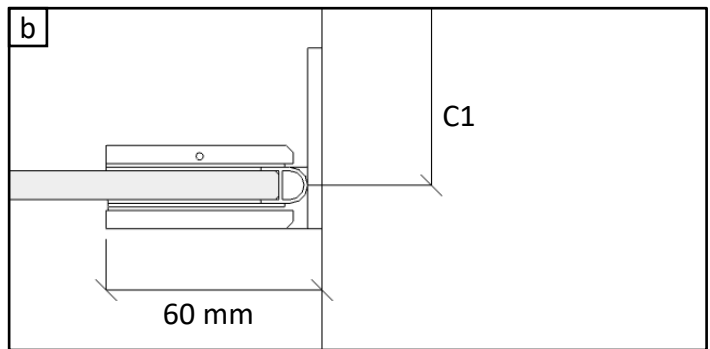
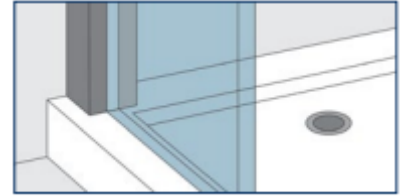
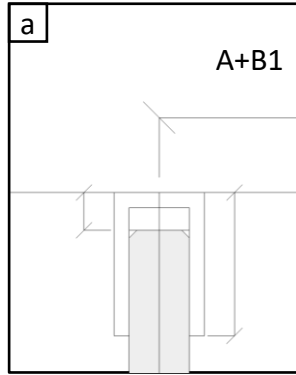
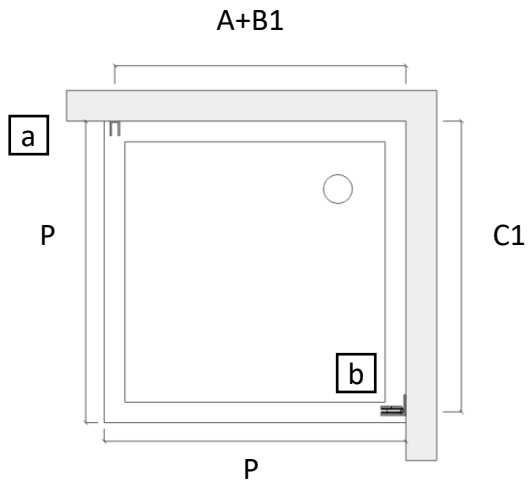
Uzmanību! Rūdīts stikls- rīkojieties uzmanīgi. Aizsargājiet stikla stūrus pret triecieniem.

Внимание! Закаленное стекло – будьте осторожны. Защищайте углы стекла от ударов.

Attention! Tempered glass - proceed with care. Protect the corners of the glass from impact.

1.A

EVA	P, mm	A+B1	C1, mm
80X80EVA	800 x 800	791	776
90X90EVA	900 x 900	891	876
100X100EVA	1000 X 1000	991	976
110X110EVA	1100 X 1100	1091	1076
120X120EVA	1200 X 1200	1191	1176
120X80EVA	1200 X 800	1191	776
120X90EVA	1200 X 900	1191	876



1.B

EVA	D	S
80X80EVA	800	800
90X90EVA	900	900
100X100EVA	1000	1000
110X110EVA	1100	1100
120X120EVA	1200	1200
120X80EVA	1200	800
120X90EVA	1200	900

